



**DESCRIPTION**

Levac C46H is a floor model made entirely of AISI304 stainless steel, equipped with a 25m<sup>3</sup>/h pump, with digital control panel, vacuum sensor, equippable with double sealing bar and inert gas injection. It is characterized by extreme robustness, ease of use and attention to detail. The standard of quality and reliability of the packaging machine and its components is the result of over twenty years of presence and wide diffusion on the global market of this model, in all areas and in all sectors.

**FEATURES**

- Oil lubricated rotary vane vacuum pump, nominal speed 25 m<sup>3</sup>/h;
- Vacuum level control through high precision sensor;
- Maximum vacuum 99,95% (0,5 millibar);
- Front 455 mm sealing bar, easily removable for cleaning;
- Removable sealing bar lifting device, with sealing cap for cleaning;
- Digital control panel with 6 keys and 6 digit display;
- 10 editable programs;
- Program for vacuum packaging in containers;
- Adjustable sealing intensity;
- Pump oil dehumidification program "H2Out";
- Resettable oil change alarm;
- Analog vacuum gauge for displaying the vacuum level;
- AISI304 Stainless steel vacuum chamber with 2,5mm constant thickness;
- AISI304 stainless steel machine body with four wheels, two of which with brakes; easily accessible pump oil drain;
- High-thickness PMMA (Plexiglass) lid with polished and rounded edges; opens automatically at the end of the cycle;
- Chromed aluminum die-cast hinges;
- Thermal welding protection system;
- 3 PE-filling plates for product adjustment and cycle speed up



**SEALING BAR 455-520 mm**  
**VACUUM PUMP 25 m<sup>3</sup>/h**  
**SENSOR CONTROL**

**OPTIONALS**

- Double 455mm or 520mm sealing bars;
- Inert gas injection with 2, 2+2 or 3+3 nozzles;
- "Easy" - accessory for external vacuum in embossed bags

**ACCESSORIES (NOT INCLUDED)**

- Bags for storage, cooking and "cook & chill"; embossed bags;
- Inclined stainless steel plate for liquid packing;
- Stainless steel vacuum containers; suction device.

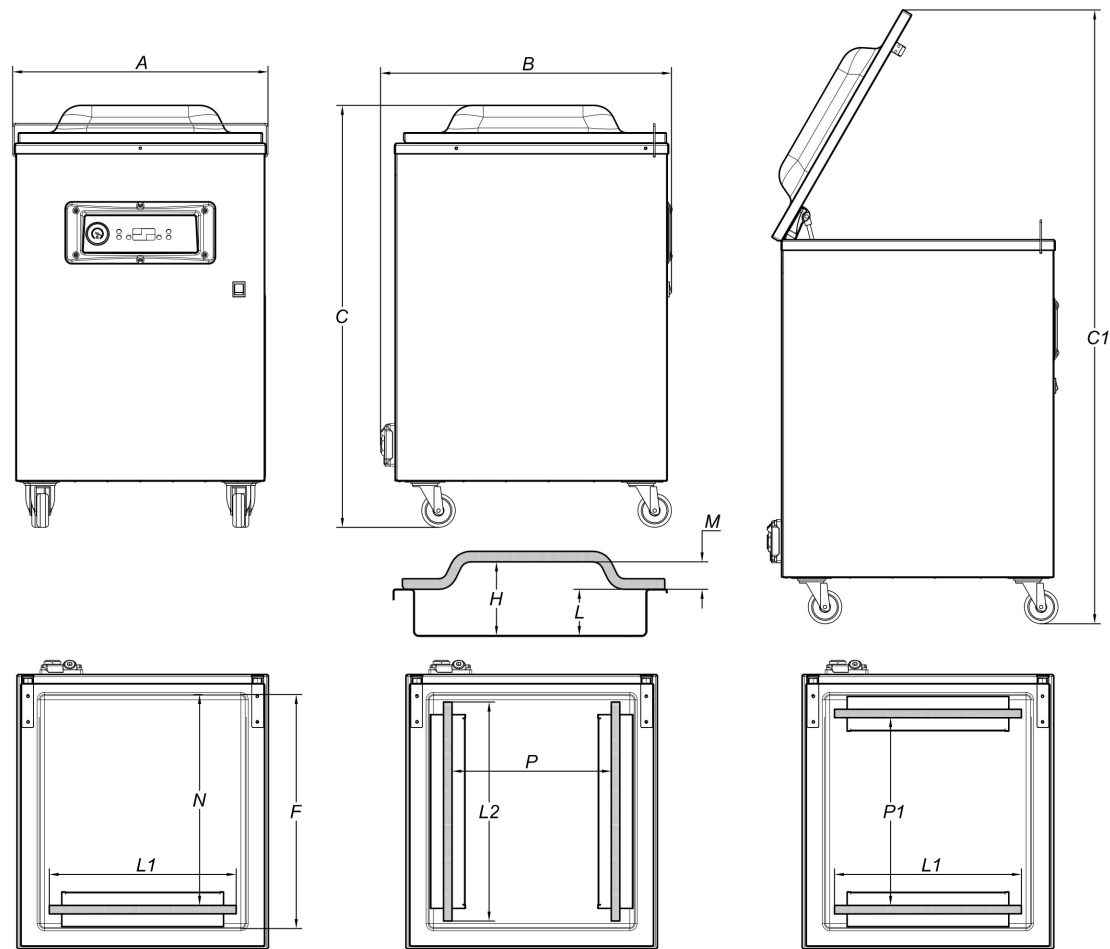
**CE**

According to: Standard EN/IEC 60335-1  
Safety assured by  
accredited third-party certification body!

PROJECT	DATE	APPROVED
ITEM	QTY	

VACUUM PACKAGING MACHINES LEVAC C46H

UPDATED:  
27/07/2021



## SPECIFICATIONS

Length of seal L1	mm	455
Length of seal L2	mm	520
Nominal pump speed	m <sup>3</sup> /h	25
Final pressure	mbar	0,5
Chamber Size (FxGxH)	mm	556x492x175
Useful space Chamber (N)	mm	500
Useful space Chamber (P)	mm	380
Useful space Chamber (P1)	mm	446
Chamber depth (L)	mm	110
Chamber volume	Lt	37,5
Power	W	1200
Electrical voltage/Frequency/Phases	V/Hz	220-240V / 50-60Hz / 1Ph+N+PE
Power cord and plug		3m / Schuko
Current	A	5,2
Housing materials		Stainless steel (AISI304)
Vacuum chamber material		Stainless steel (AISI304)
Lid material		PMMA (plexiglas)
Overall dimensions (AxBxC)	mm	607x692x1002
Maximum height with open lid (C1)	mm	1458
Weight (with shelves)	kg	115,5
Noise level	dB(A)	57
Environmental operating temperature (min-max)	°C	12-40