



**FEATURES**

- Structure, hinge, heating element support, film cutting blade and screws in AISI 304 stainless steel;
- Ergonomic handle in heat-insulating material;
- Electronic temperature regulation by digital thermostat;
- Customizable and interchangeable anodized aluminium moulds, with a maximum size of 1/2 GN for single hole; one mould included;
- Useful support under the base of the machine to deposit a mould;
- Rear film cutting device, with steel protection plate against accidental cutting;
- The spring supports of the sealing plate and the customized mould designed with silicone profile according to the shape of the tray, allow uniform welding of one or more trays, with one or more compartments.

**DESCRIPTION**

LT3 is a table-top thermosealer for medium/large-sized trays, equipped with customizable and interchangeable moulds, with a maximum size 1/2 Gastronorm. Made entirely of AISI304 stainless steel, with anodized aluminum supports, it stands out for its extreme strength, ease of use thanks to the electronic temperature regulation and the high quality level. These peculiarities, combined with the compact dimensions, make it a useful and perfect tool in many areas, from catering to delivery and take away.



**ACCESSORIES (NOT INCLUDED)**

- Polypropylene film;
- Polypropylene transparent trays;
- Custom-made aluminium moulds.

**CE**

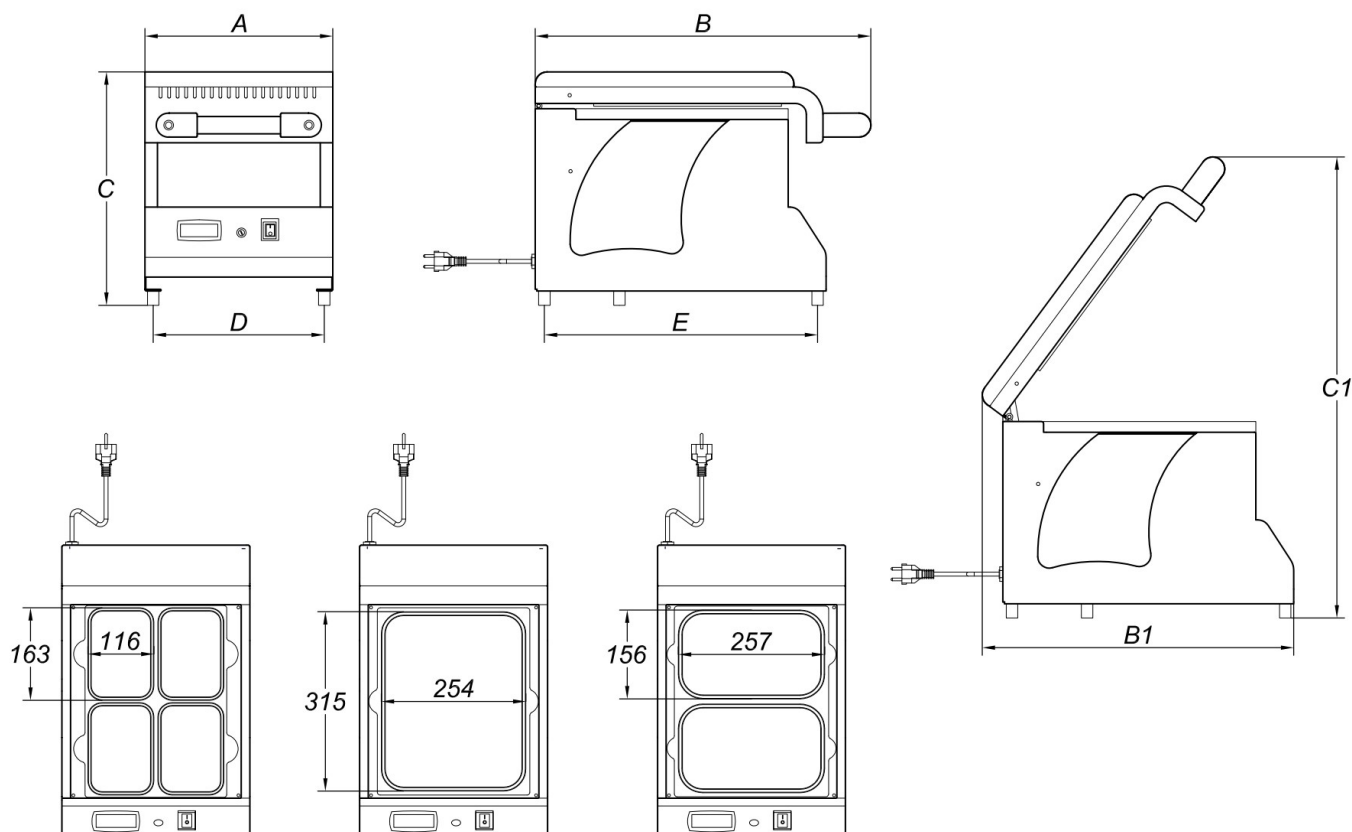
According to: **Standard EN/IEC 60335-1**

Safety assured by  
**accredited third-party certification body!**

PROJECT	DATE	APPROVED
ITEM	QTY	

THERMOSEALING MACHINES LT3

UPDATED:  
02/08/2021



## SPECIFICATIONS

Overall dimensions (AxBxC)	mm	330x590x410
Maximum height with open lid (C1)	mm	810
Maximum length with open lid(B1)	mm	550
Distance between supports (DxE)	mm	300x480
Housing materials		Stainless steel (AISI304)
Lid material		Stainless steel (AISI304)
Net weight	kg	23,5
Power	W	1650
Electrical voltage/Frequency/Phases	V/Hz	220-240 V / 50-60Hz / 1Ph+N+PE
Power cord and plug		3mt / Schuko
Current	A	7,17
Sealing plate protection system		Flame retardant technopolymer
Temperature regulation		Digital thermostat